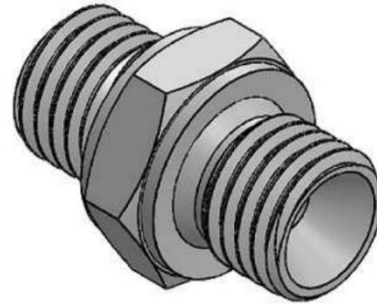
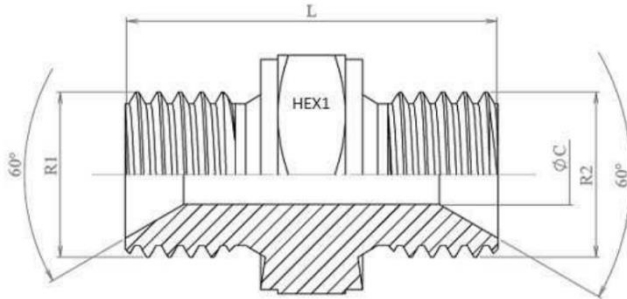


DATA SHEET - TEHNIČNI LIST



	R1	R2	L	HEX 1	ØC	⌘ (Kg)
82746	1/8" BSP	1/8" BSP	22	14	3,5	0,018
80279	1/4" BSP	1/4" BSP	31	17	4,7	0,032
			31	19	6	0,038
80280	3/8" BSP	3/8" BSP	35	22	8	0,062
80281	1/2" BSP	1/2" BSP	40	27	11	0,095
80859		1/2" NPT	41	22	11	0,105
81743	5/8" BSP	5/8" BSP	45	30	14	0,165
80283	3/4" BSP	3/4" BSP	45	32	16	0,21
80284	1" BSP	1" BSP	53	41	22	0,315
81750	1"1/4 BSP	1"1/4 BSP	56	50	28,5	0,48
82748	1"1/2 BSP	1"1/2 BSP	65	55	33	0,68
82749	2" BSP	2" BSP	69	70	46	1,05
	2"1/2 BSP	2"1/2 BSP	72	85	55	1,65
	3" BSP	3" BSP	90	100	64	2,6

Izdelano iz Ogljikovega Jekla

Made of Carbon Steel

